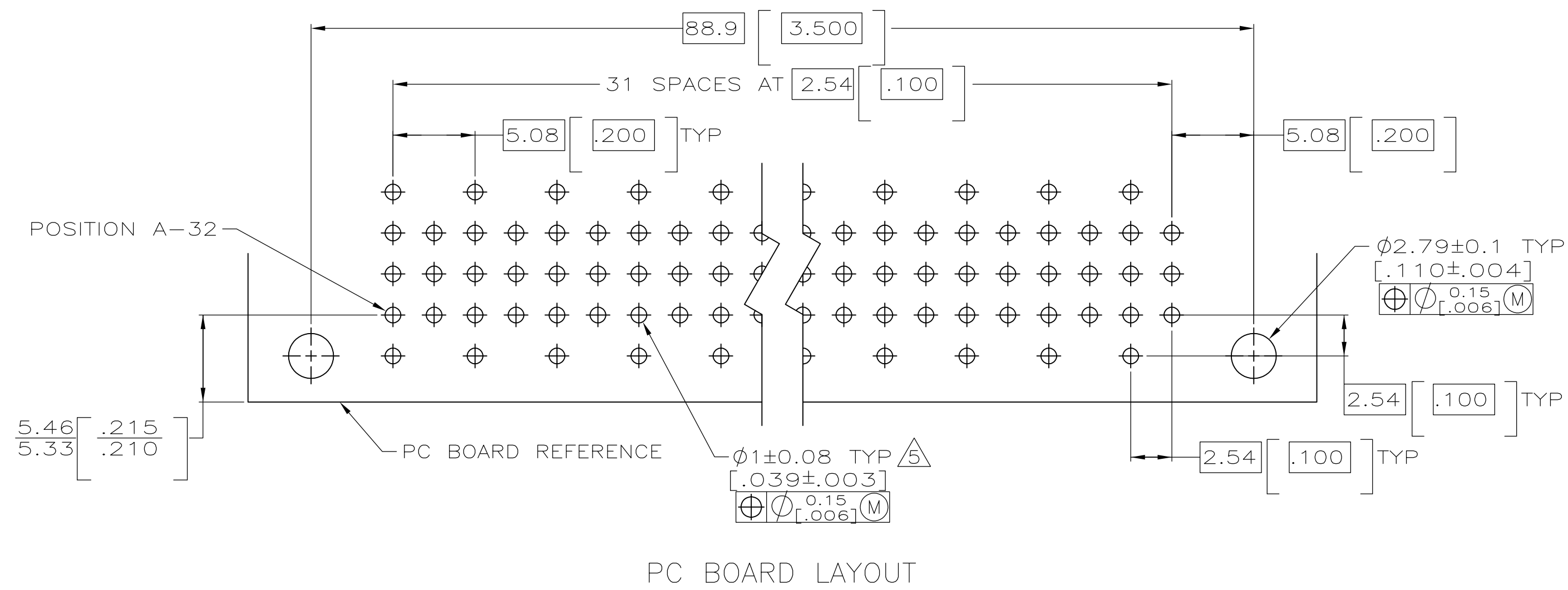
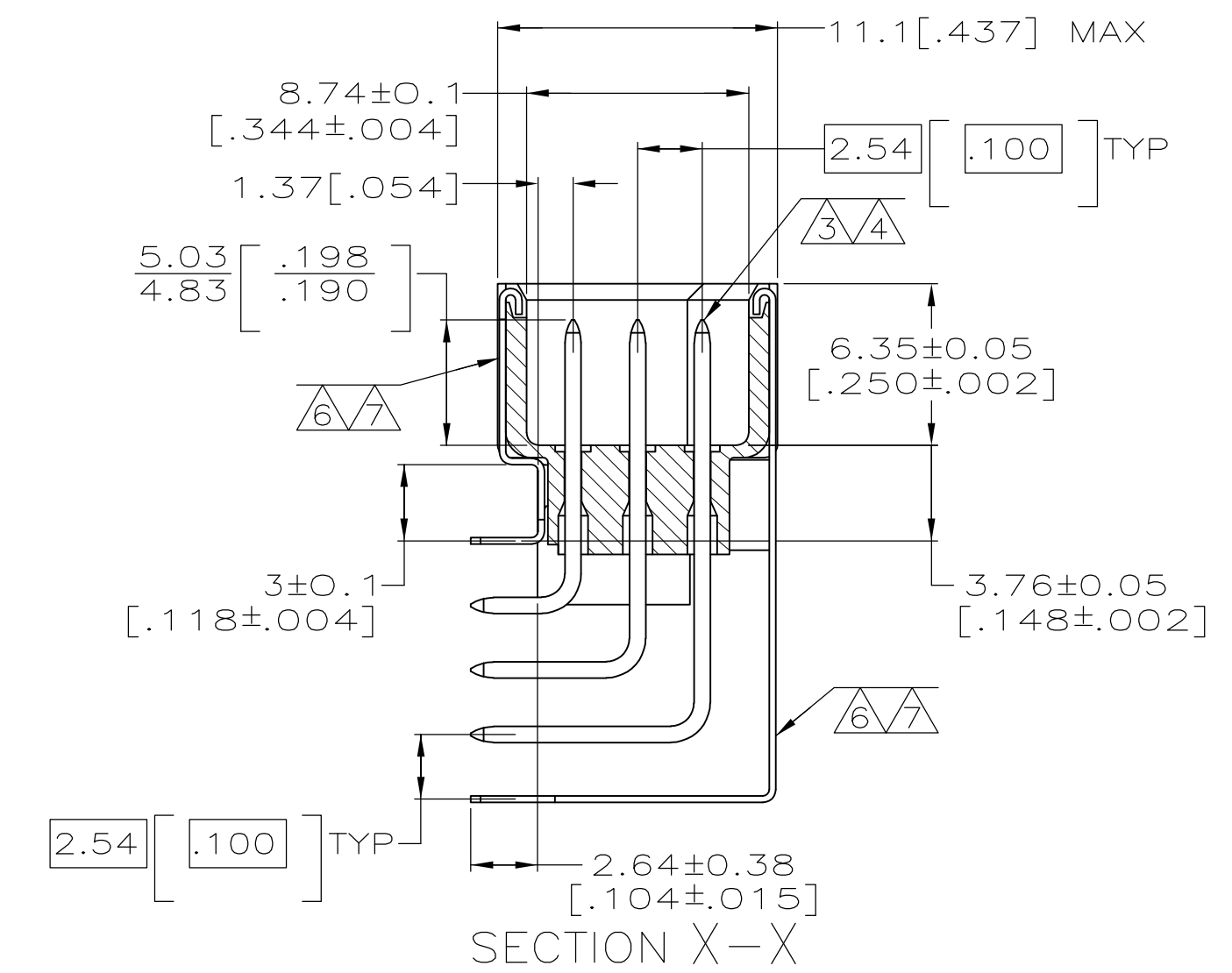
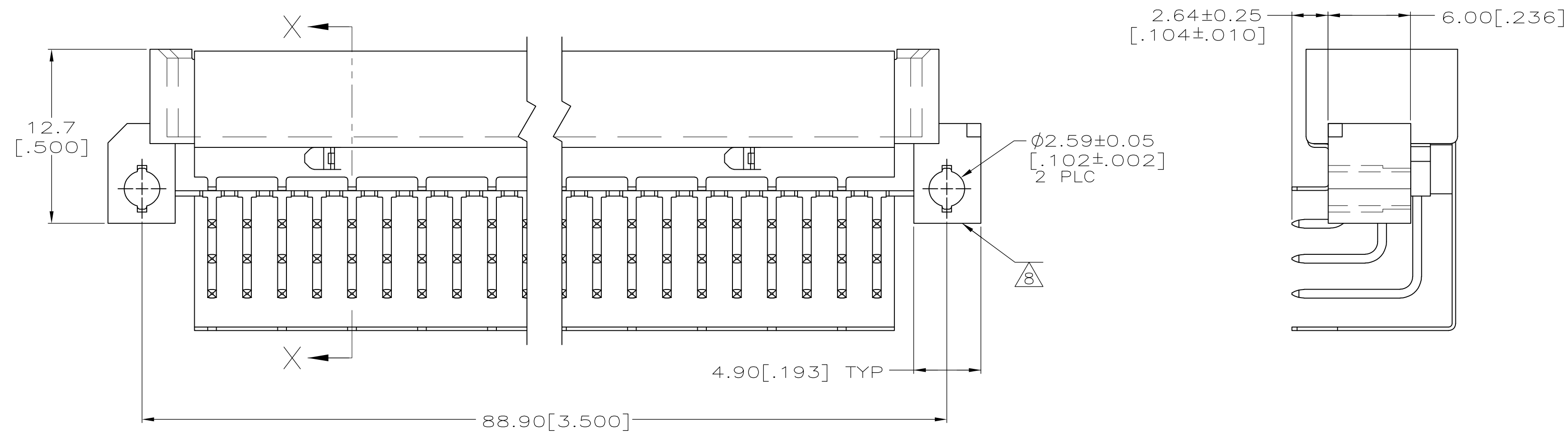
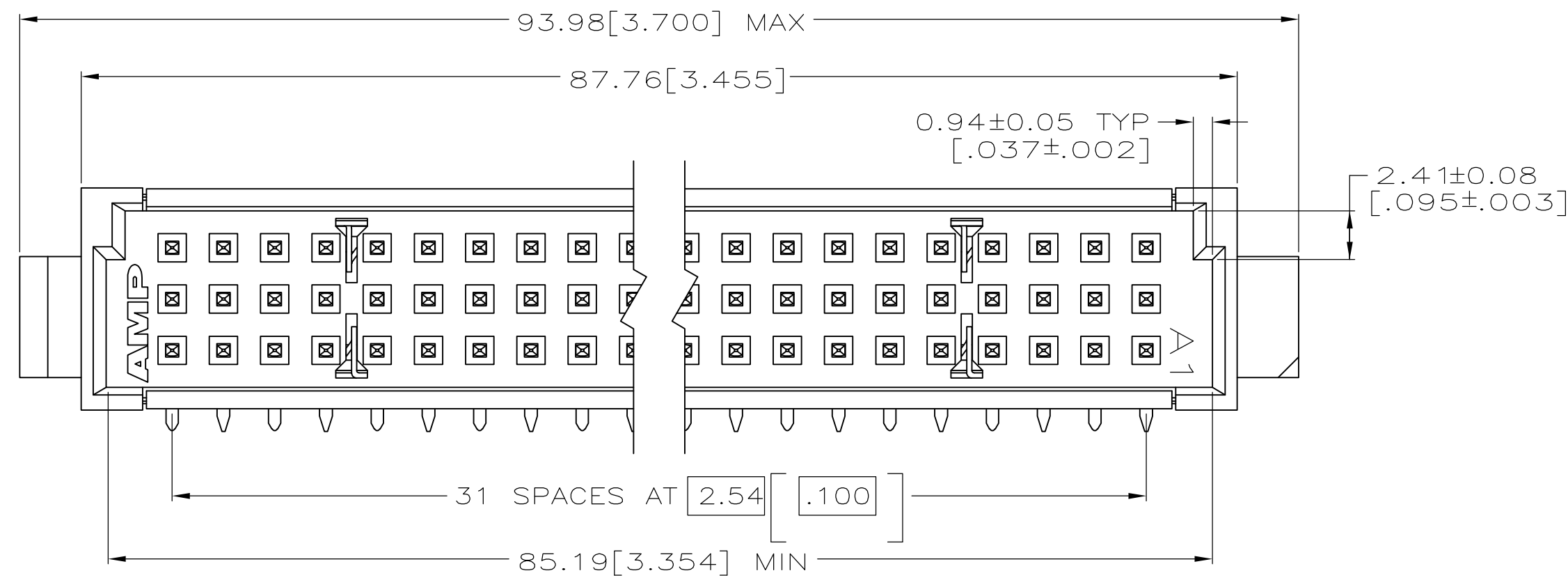


LOC		DIST		REVISIONS			
P	LR	DATE	OWN	APPD			
K		27APR07	DH	DB			

- ① HOUSING MATERIAL: HIGH TEMPERATURE, GLASS-FILLED POLYMER. COLOR: GRAY OR WHITE
- ② POST AND GROUND PLATE MATERIAL: BRASS.
- ③ POST FINISH: DIN 41612 CLASS 2 IN CONTACT AREA. TIN-LEAD PLATE ON POSTS.
- ④ POST FINISH: DIN 41612 CLASS 3 IN CONTACT AREA. TIN-LEAD PLATE ON POSTS.
- ⑤ RECOMMENDED HOLE SIZE FOR MANUAL APPLICATION OF CONNECTOR ONTO PC BOARD.
- ⑥ GROUND PLATE FINISH: DIN 41612 CLASS 2 IN CONTACT AREA. TIN-LEAD PLATE ON POSTS.
- ⑦ GROUND PLATE FINISH: DIN 41612 CLASS 3 IN CONTACT AREA. TIN-LEAD PLATE ON POSTS.
- ⑧ MOLD REVISION DATE CODE MOLDED IN THIS AREA.
- ⑨ OBSOLETE PART NUMBER.



④	⑦	650987-9
③	⑥	650987-5
FINISH		ASSY PART NUMBER

DIMENSIONS:		TOLERANCES UNLESS OTHERWISE SPECIFIED:		PRODUCT SPEC		APPLICATION SPEC		WEIGHT	
mm	[INCHES]	0 PLC	± -	1	± -	2	± -	3	± -
		2 PLC	± -	4	± -		± -		± -
		3 PLC	± -		± -		± -		± -
		4 PLC	± 0.13 [.005]		± -		± -		± -
		ANGLES	± -		± -		± -		± -

THIS DRAWING IS A CONTROLLED DOCUMENT.		OWN: L. BRINER	2/2/92	Tyco Electronics Corporation	
		CHK: D.C. RUBENDALL	2/11/92	Harrisburg, PA 17105-3608	
		APVD: -		PIN ASSEMBLY, ENHANCED EUROCARD WITH TWO EXTERNAL PLATES	
				SIZE: A1	CAGE CODE: 00779
				DRAWING NO: 650987	RESTRICTED TO: -
				SCALE: 4:1	SHEET: 1 OF 1
				REV: K	